

# HIFIMAN

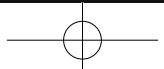
Innovating the Art of Listening

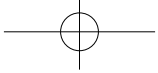


## SHANGRI-LA **jr**

Electrostatic Headphone System

User Guide





TO REDUCE THE RISK OF ELECTRIC SHOCK, DO NOT REMOVE COVER (OR BACK). NO USER-SERVICEABLE PARTS INSIDE. REFER SERVICING TO QUALIFIED SERVICE PERSONNEL.

Warning: Non-insulated dangerous voltage within the product's enclosure may be of sufficient magnitude to constitute a risk of electric shock.



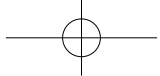
Important operating and maintenance instructions in this user guide.

Warning: To avoid fire or shock hazard, this product should not be exposed to rain or other moisture.

**Note:**

To completely cut off the power, the electrical plug should be unplugged.

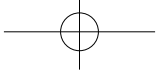
DO NOT TOUCH the vacuum tubes once turned off as they will remain hot for some time. The radiator on the amplifier may also get very hot in use, do not touch when operating, cover or obstruct the air flow around it.



## Warning:

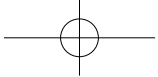
### Amplifier

- Please read instructions carefully. Store and retain the operations guide for future reference. Pay attention to all warning information and operate in accordance with the instructions.
- Avoid high ambient temperature use. Do not operate the amplifier in a room temperature over 40°C or 104°F. Please allow the heat to fully dissipate after use.
- Grasp the plug firmly when the power cable is being unplugged. Do not pull the cable to unplug.
- This product should not be placed in a dusty, dirty environment or be exposed to very high humidity (sauna, bathroom etc.)
- The plug should be unplugged if the product will not be used for a long time.
- Air ventilation should not be blocked or obstructed.
- Nothing should be dropped into the amplifier. This could cause damage, especially to the fragile tubes on top.
- Do not expose the product to chemicals such as pesticides, benzene, acids or alkaline.
- This product should not be disassembled or refitted by anyone other than HIFIMAN.
- To avoid fire, while the amplifier is working, vacuum tubes and air vents should not be obstructed with papers, tablecloth, curtains or any other items.
- Open flames such as candles should not be placed on or near the amplifier.
- Highly flammable, liquids should not be dropped or sprayed on the amplifier.
- To avoid fire hazard, items containing liquids such as vases or glasses should not be placed on the amplifier.
- Do not operate with wet or oily hands.
- There is high output on the output terminal of front panel of the amplifier. To avoid shock hazard, nothing should be inserted in the output port of the amplifier except a suitable headphone jack.
- The power cable should not be trampled on or be a trip hazard.
- Accessories and spare parts used should be specified by HIFIMAN only.
- In case of storms please remove the plug from the power socket.



### Headphone

- To avoid risk of electric shock and to protect the diaphragm from being damaged, nothing should be inserted into the grill on the headphone.
- As with the amplifier, the headphone should be kept away from a high temperature environment ( ambient temperature should not exceed 40°C or 104°F. )
- Keep the headphone away from substances such as alcohol, gasoline, acetone, other solvents, sulfuric acid, sodium hydroxide or any other corrosive substances.
- Do not treat the headphone violently as this may cause permanent damage to the internal structure and invalidate the warranty.
- If the headphone should get wet, do not use a heat gun or hairdryer on the product as this could permanently damage the headphone's diaphragm. Allow to dry naturally in a warm but dry environment such as an airing cupboard.
- Do not use the headphone with wet hair.
- If the product is to be left unused for a long time, please keep in the storage box and seal with a moisture-proofing agent to prevent mold or corrosion.

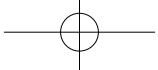


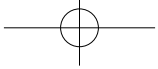
**HIFIMAN SHANGRI-LA jr** Table of Contents

Thank you for your purchase of the SHANGRI-LA jr Electrostatic Headphone System. To ensure the correct operation, please read the operating instructions carefully. After reading, please retain for reference in the future.

- Technical Data ..... 5
- Features ..... 6
- Notes for Operation ..... 8
- Functions ..... 9
- Initial Setup ..... 12
- Basic Connection ..... 13
- Basic Operation ..... 15
- The Bias Adjustment ..... 16
- Troubleshooting ..... 17
- Limited Warranty and ..... 18
- Customer Service

\* Please be advised that illustrations may be different from the real system for the purpose of explanation.





## Specifications

Headphone

Frequency Response: 7Hz -120kHz

Bias Voltage: 550V-650V

Weight: 13.2oz (374g)

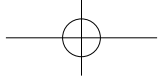
Amplifier

Weight: 11 kg (24 lb)

Dimensions: 400 x 265 x 108 mm<sup>3</sup> (15.7" x 10.4" x 4.2")

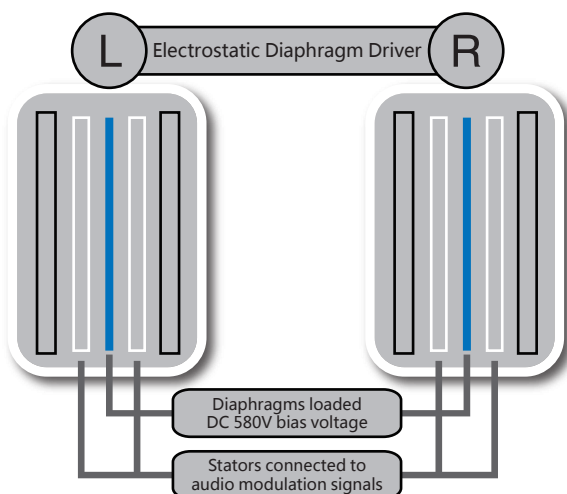
## Accessories

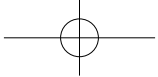
No.	Items	Quantity
1	Power Cable	1pc
2	Electrostatic Headphone (in a box)	1pc
3	Headphone Stand	1pc
4	6SN7 Vacuum Tube	4pcs
5	User Guide	1pc



## SHANGRI-LA jr Electrostatic Headphone

- Nano-particle coated sub-micrometer thickness diaphragm provides unsurpassed high frequency response.
- The highly resolving audio and extremely high frequency range allows the soundstage to be dramatically open and expansive compared to a traditional “moving coil” type headphone.
- Metal mesh stators working in proximity to the ultra-thin diaphragm provide superior openness and less distortion than other headphones.
- Nanometer grade dust cover helps prevent dust and other pollutants settling and avoiding ensuing distortion caused by electrostatic dust.
- Lightweight (only 13.2oz or 374g) and ergonomic design provides superb comfort for extending listening.
- Sturdy and durable, the outer covering is made of 6-series aluminum alloy with an anodized finish.





## SHANGRI-LA jr Electrostatic Amplifier

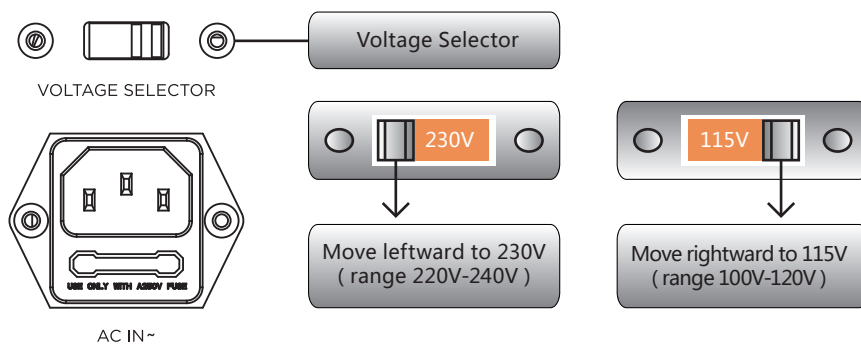
- Four custom designed 6SN7 vacuum tubes, acknowledged to be the finest available
- Relay-based attenuator with a 24-step level of volume control and a total of 23 separate resistors for a more pure listening experience
- Made of aviation grade aluminum alloy, the advanced industrial design is from the HIFIMAN US design team in Boston
- Tempered glass top panel
- XLR balanced audio input and AUX source input port
- Equipped with two headphone output ports
- AC 115V / 230V power selector

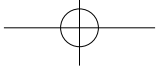


**Warning:**

Please read the following instructions before connecting this product to a power source for the first time. Power voltage might vary in different countries and areas.

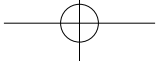
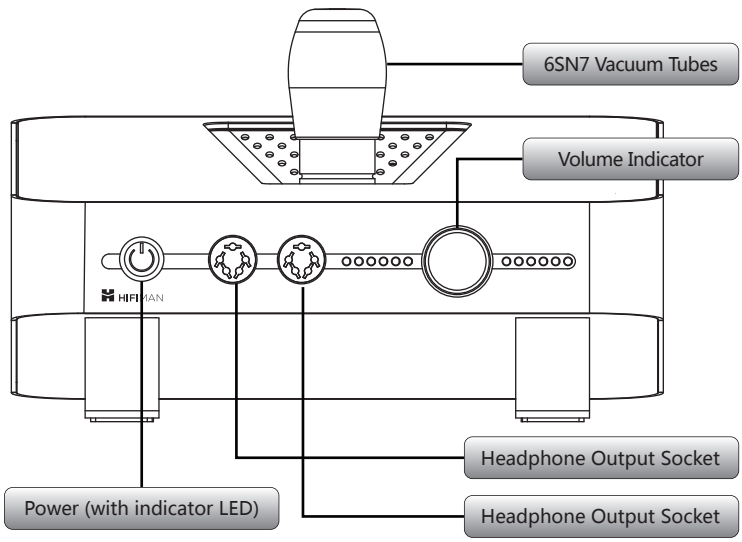
Please make sure the rated voltage ( for instance, alternating current AC 230V 50Hz or alternating current AC 115V 60Hz ) on the panel corresponds to local mains voltage. If not, the power supply should be turned off and the power cable should be disconnected, adjust the voltage selector with a flat head screwdriver. Make sure the power supply corresponds to the local mains voltage before reconnecting.

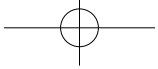




**HIFIMAN SHANGRI-LA jr** Functions

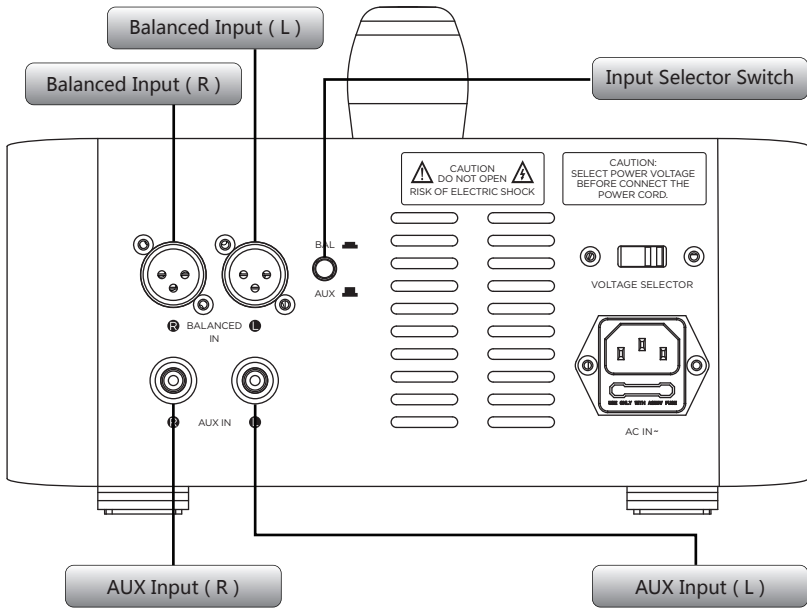
**Front Panel**

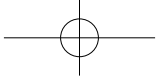




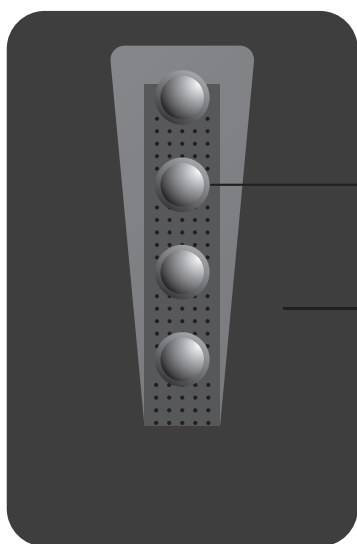
**HIFIMAN SHANGRI-LA jr** Functions

**Rear Panel**



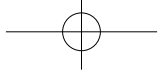


## Top Panel



Seats for 6SN7 Tubes

Top Panel View

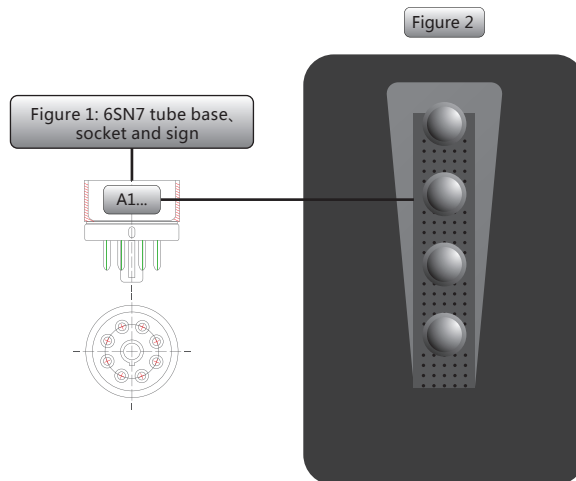


## Preparatory Work

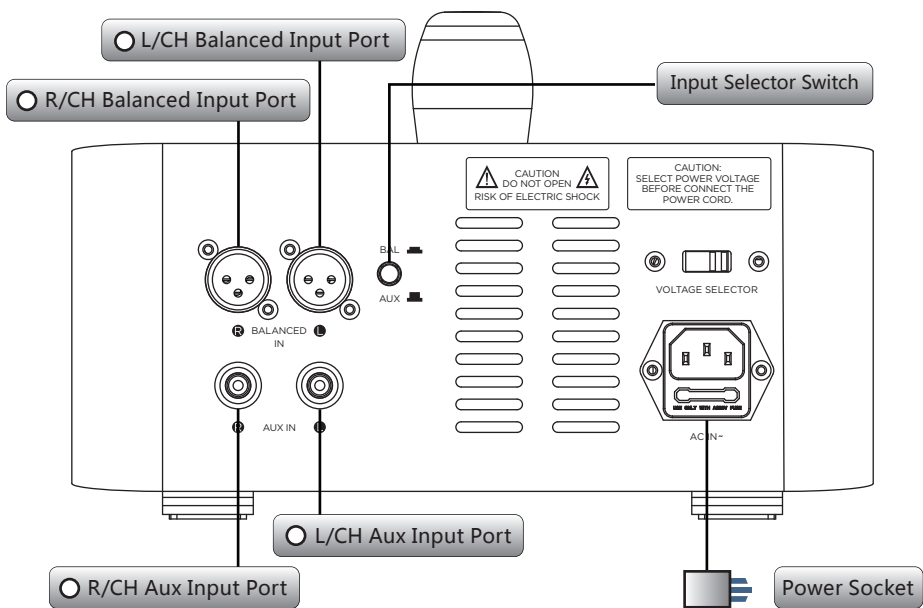
- Open the package box, remove the amplifier and power cable carefully.
- Put the device on a stable surface, then remove the protective film from the top panel.
- Open the box, remove the vacuum tubes, headphone stand, headphone (separately packed).
- Take out the tubes carefully. Arrange the tubes in order according to the markings on them.

## Installation of Vacuum Tubes

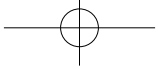
- Vacuum tube matching has been carried out when manufactured for optimum working status. For convenience during installation, please use the tubes in accordance with their numbers.
- The tubes have been marked A1~A4(6SN7). Please insert according to Figure 2 as below.  
Note: The base on the 6SN7 should be inserted precisely into the tube socket. (Figure 1)
- To install: Grasp the tube base, insert gently into the tube socket until it reaches the bottom of the socket.



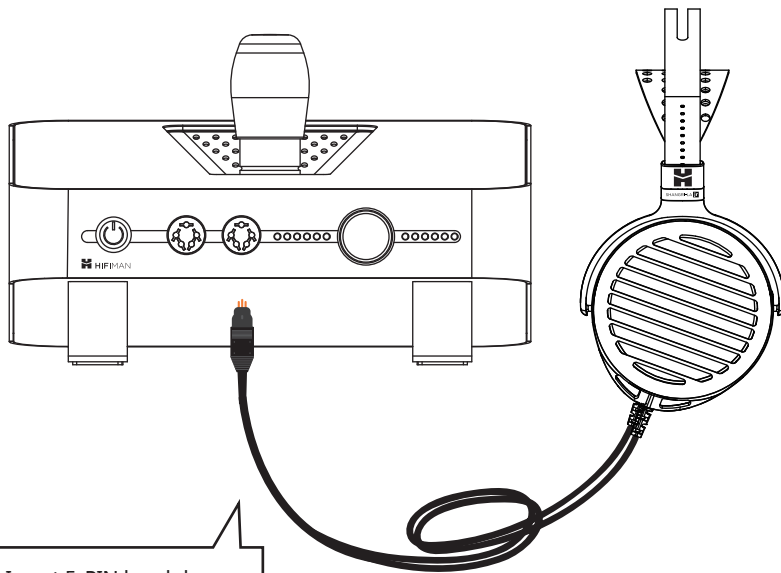
### Connection to Audio Input Source and Power Source



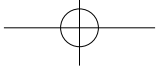
\* Make sure the power supply switch corresponds to local mains voltage before connecting to power socket.



**Two pairs of electrostatic headphones can be connected to the amplifier and operated at the same time.**



Insert 5-PIN headphone plug into output port of amplifier (point the plug to upward side)



## Initial Use

When the "POWER" switch on the front panel is pushed on, the red LED on the front panel blinks for 30 seconds. When the LED lights up continuously, the unit is ready to operate.

Plug the headphone into one of the sockets on the front panel.

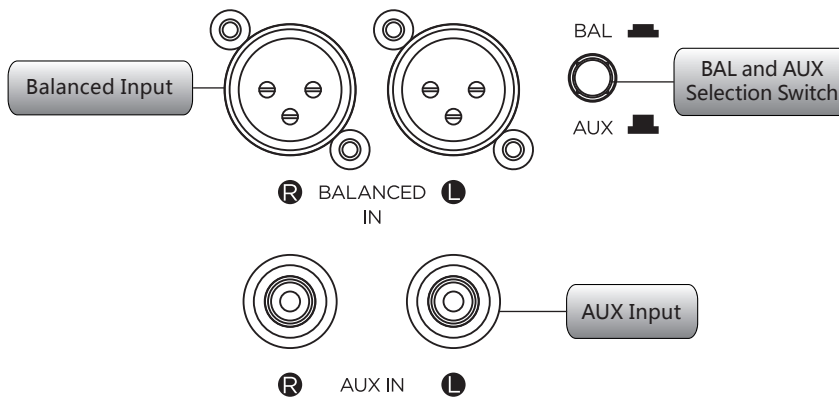
Select the connected input signal using the "INPUT" selector switch beside the input connector.

Turn the volume potentiometer clockwise to set optimal volume level. Output sound level can be read from indicators around the knob.

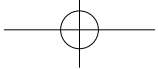
## Balanced Input and AUX Input

Press the switch to select the Balanced Input source.

Press the switch again (the switch will reset) to select the AUX Input source.







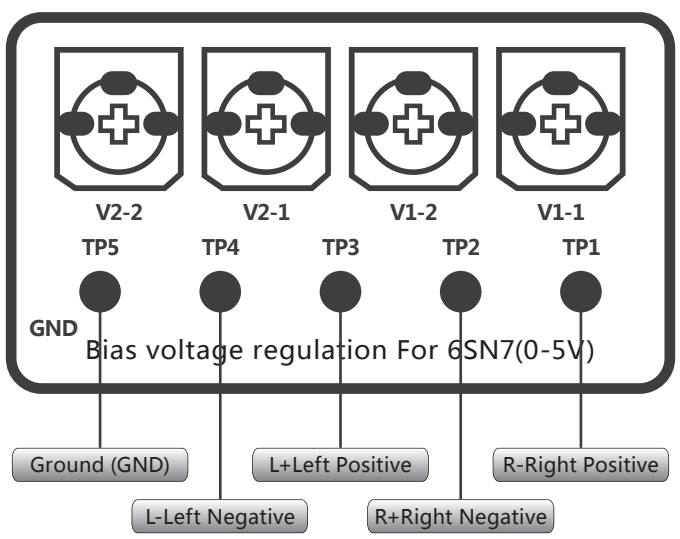
**HIFIMAN SHANGRI-LA jr** The Bias Adjustment

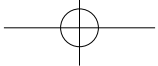
**The Bias Adjustment**

(The controls are on the underside of the amplifier under a cover panel.)

- Turn on the amplifier for 10-20 minutes.
- Set the volume to 0 and disconnect headphones and audio inputs.
- Connect TP5 with the black probe of a multimeter and measure the DC voltage of the TP1-TP4 terminals in turn. It should read between 5-10V. If the deviation is too large, please adjust the potentiometer TP1, and then repeat for TP2 – TP4 until the voltage to ground is equal.
- Once completed, please wait 10 minutes and test each channel again to ensure voltage stability.
- Place the cover back onto the amplifier and turn off the power. You may then reconnect the audio inputs and the headphones.

\* Should you find anything unusual or are not able to replace/adjust the 6SN7 tubes, please contact your local distributor or HIFIMAN customer service.





**Please check the following possible issues:**

Are the connections correct?

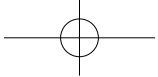
Has the device been operated in accordance with the manual?

Are the connecting devices working properly?

If the product is not operating properly, please check for the following problems.

If you require assistance please contact the distributor from whom this product has been purchased or contact HIFIMAN customer service.

Problems	Possible Causes	Solutions	page
Power indicator will not come on	Power plug not inserted properly or fully	Check the power plug has been inserted into the socket properly and fully	13
Power indicator is on but there is no sound	Input cable not properly or fully inserted	Correct the input cable connection	13
	Headphone cable not properly or fully inserted	Correct the headphone cable connection	14
	Incorrect input selection	Set the input selector switch correctly	10
	The volume is set very low	Slowly increase the volume output with the volume dial	15
Left and right channel are reversed	The left and right input cables are reversed	Correct the left and right channel connection	13
No sound from one channel	The left or right input cable is not properly or fully inserted	Correct the left and right channel connection	13



**HIFIMAN** SHANGRI-LA **jr**

Limited Warranty and  
Customer Service

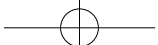
HIFIMAN provides a five-year warranty on the SHANGRI-LA jr system.

However, both the tubes and the cable are warranted for one year only.

For further support and service if needed,

please contact HIFIMAN at [customerservice@hifiman.com](mailto:customerservice@hifiman.com)

 **HIFIMAN**  
Innovating the Art of Listening






## FACEBOOK

Scan QR Code to join  
HIFIMAN on facebook



Customer Service Tel: +1 201-443-4626  
E-mail: [customerservice@HIFIMAN.com](mailto:customerservice@HIFIMAN.com)  
Website: [www.hifiman.com](http://www.hifiman.com)

 [hifimanelectronics](https://www.facebook.com/hifimanelectronics)  [store.hifiman.com](http://store.hifiman.com)  [twitter.com/hifimanofficial](https://twitter.com/hifimanofficial)